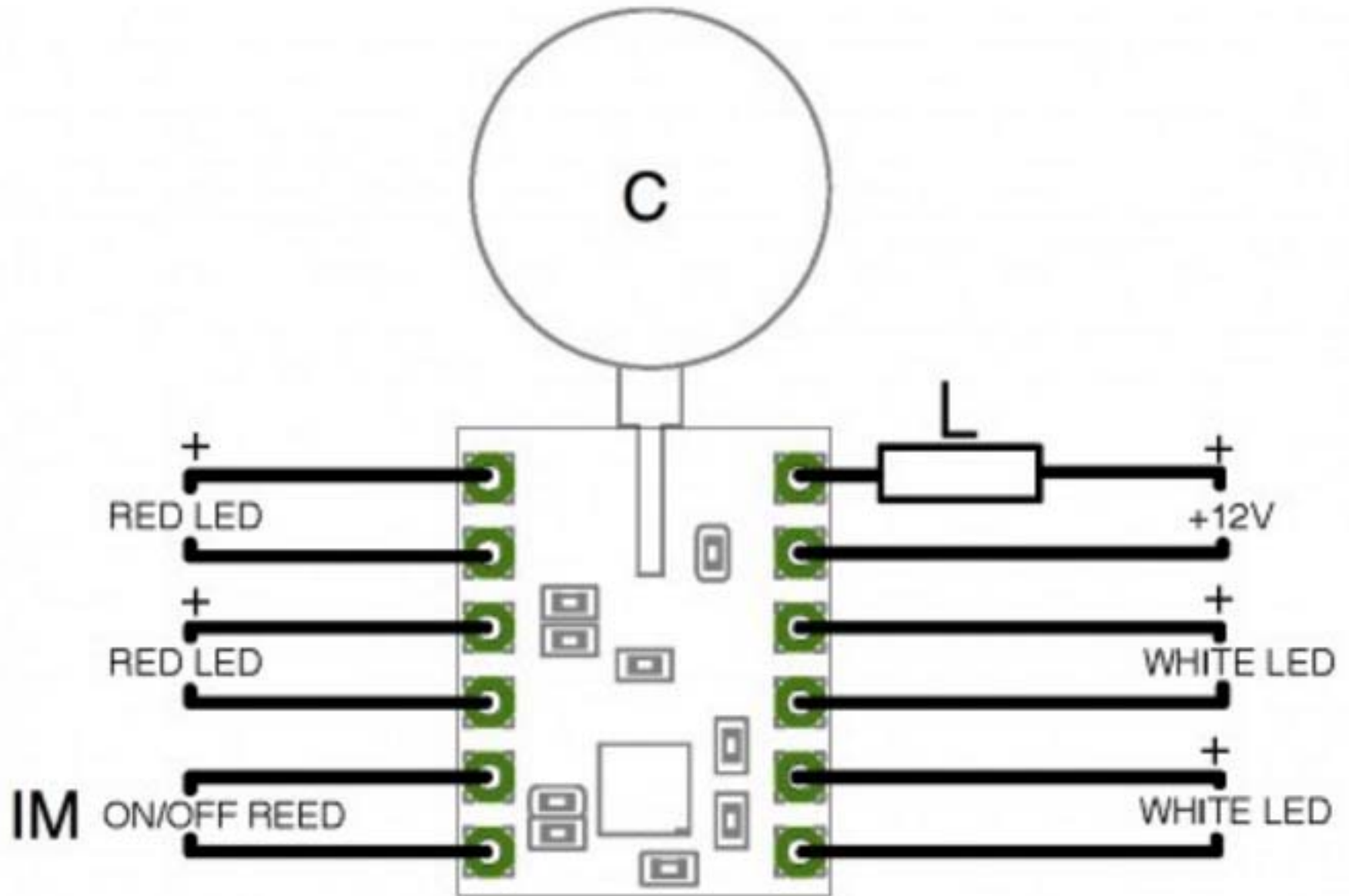


L IS THE INDUCTOR



IM IS THE MAGNETIC SWITCH